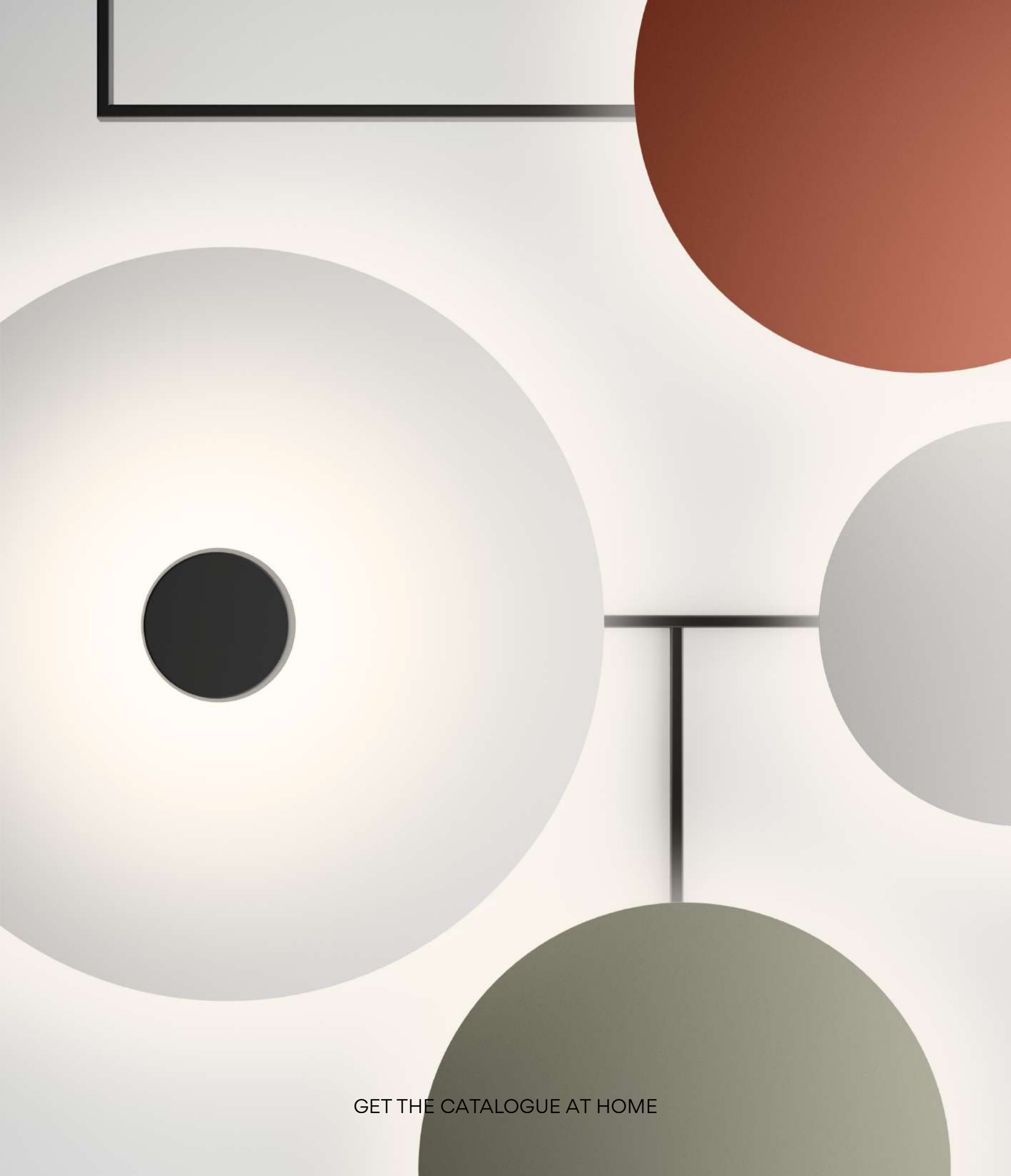


Flat

Design by Ichiro Iwasaki.

Flat's distinctive, disc-shaped diffusers form horizontal planes of light that integrate with the surrounding architecture. A study in geometry, the collection creates layers of light that infuse a space with a soothing, Zen sensibility.



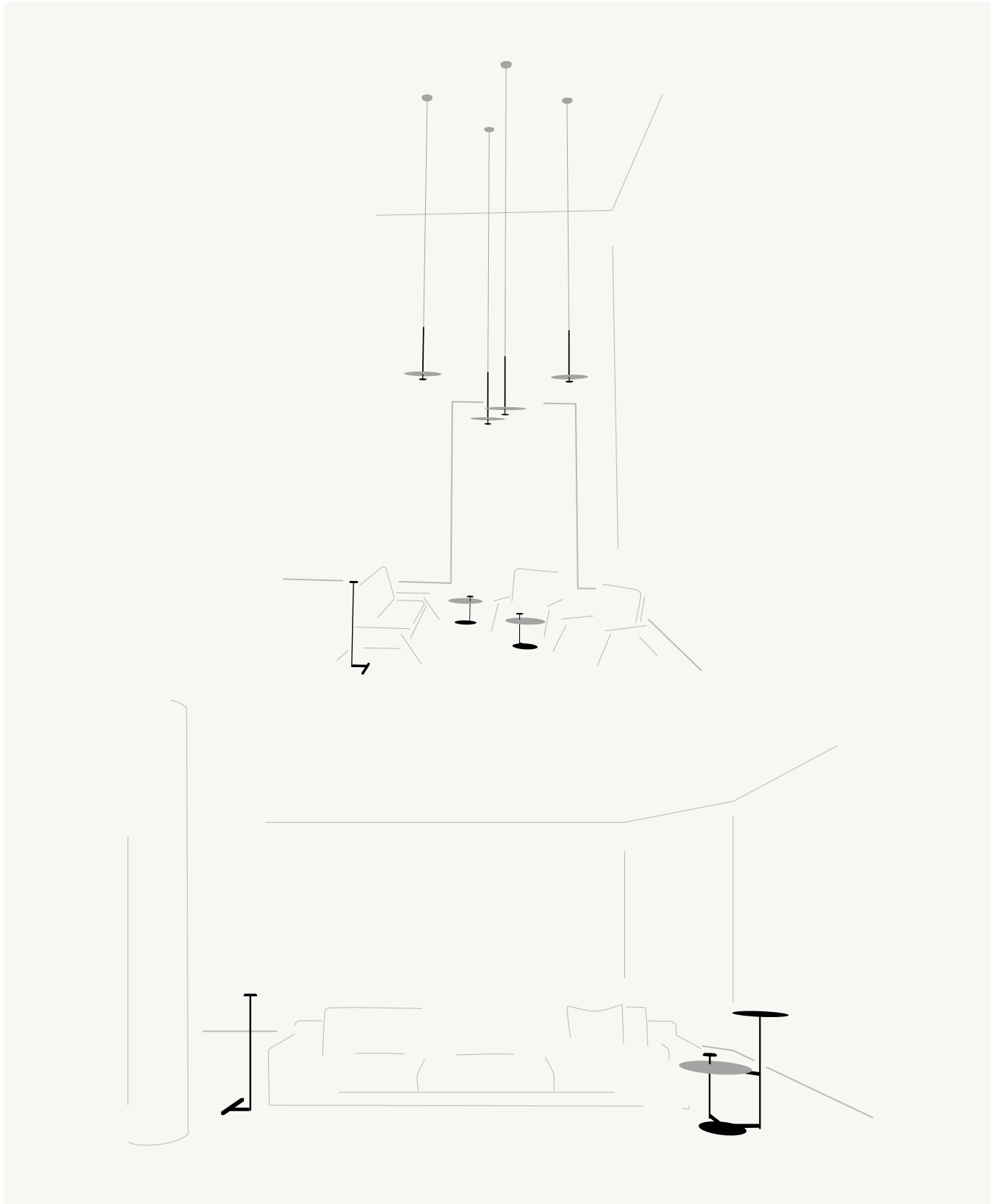
GET THE CATALOGUE AT HOME

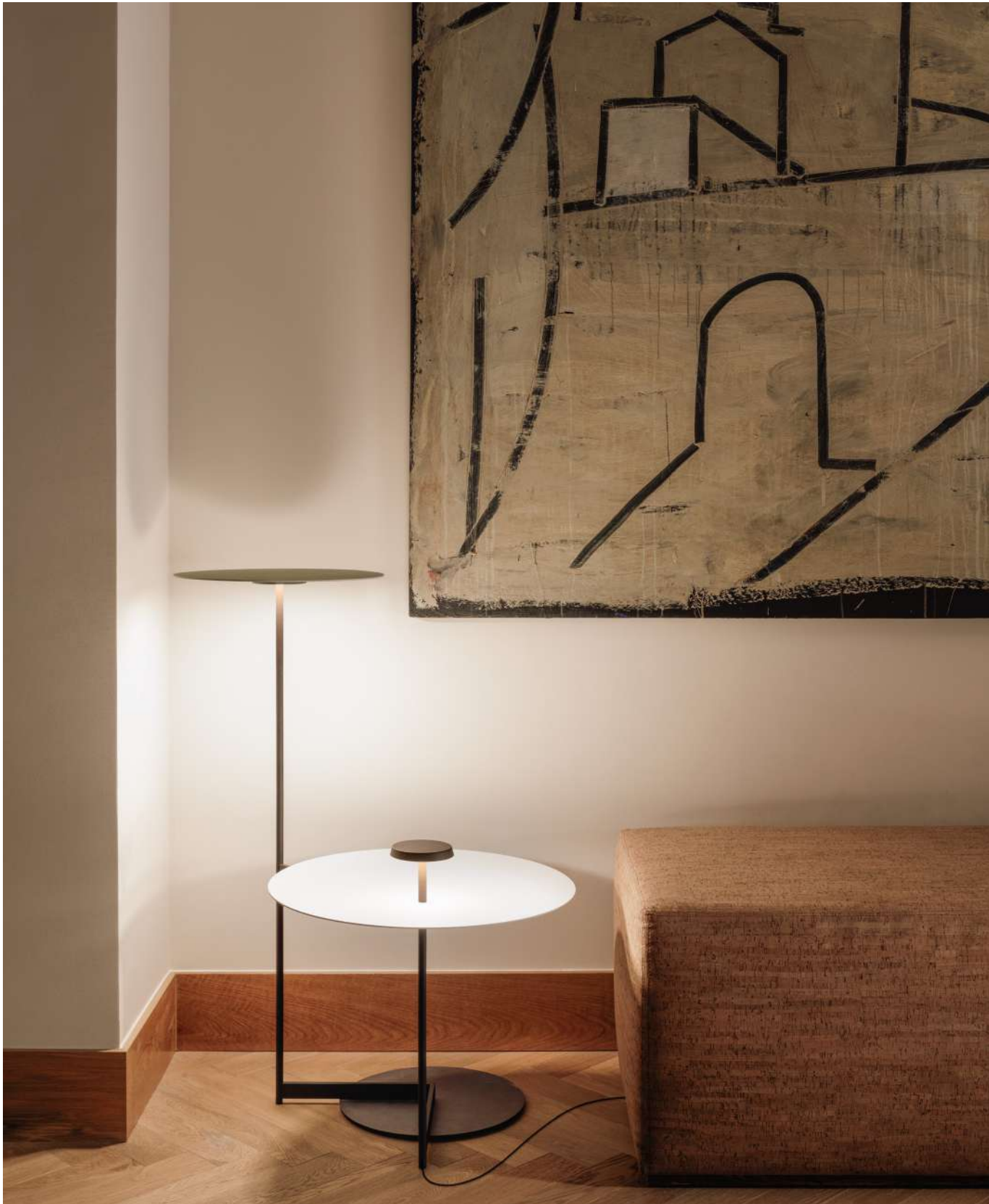












Ref. 5945
One general on/off and dimming
switch for both discs.



FLOOR

15



GET THE CATALOGUE AT HOME







The LED-powered collection features flat metal plates reflecting light off their surface, casting an enveloping, wraparound glow that appears illuminated from within. The floor lamp comes in small and large sizes, with a single or double plate - either a compact disc or a shelf-like plate that doubles as furniture. When deployed in pairs, the smaller, complementary disc captures and reflects light back at the larger plate, creating pockets of soft, pooled indirect light that illuminate both the space and the surface itself.

Ref. 5945, 5957.

- 13 Grey L1 (NCS S 1000-N)
- 47 Green L1 (NCS S 4005-G80Y)

Ref. 5950.

- 10 White (NCS S 0300-N)

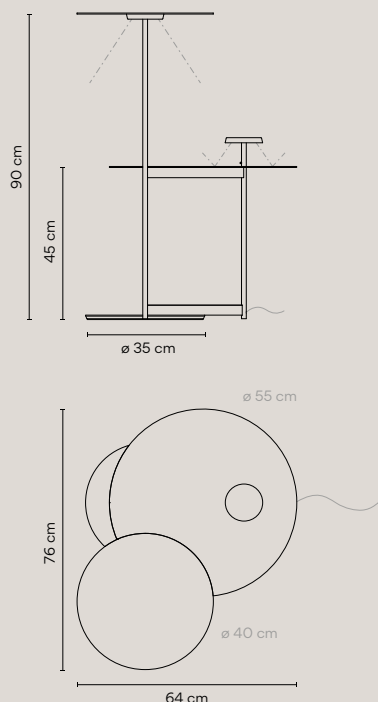
Ref. 5955.

- 11 Black (NCS S 8500-N)
- 37 Terra Red (NCS S 4040-Y70R)
- 47 Green L1 (NCS S 4005-G80Y)

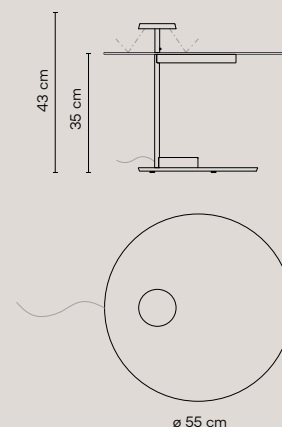
Shade: Aluminum.
 Diffuser: Polycarbonate.
 Structures: Steel.

LED 2700 K. CRI>90
 Dimming: Push.

Ref. 5945
 One general on/off and dimming switch for both discs.

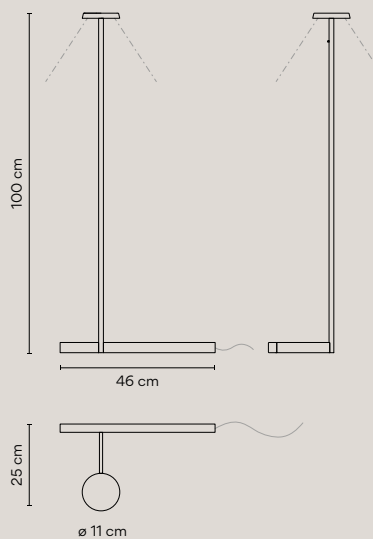


5945

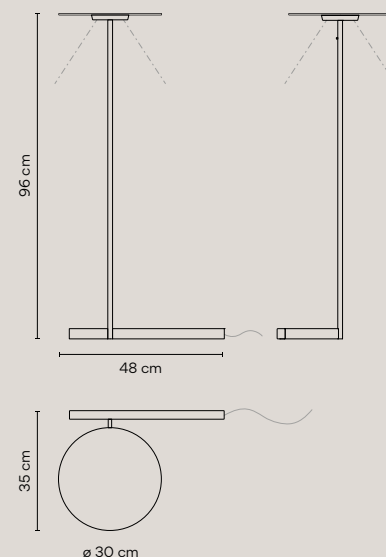


5950

Personalization options available
 - LED 4000 K
 Request more information.

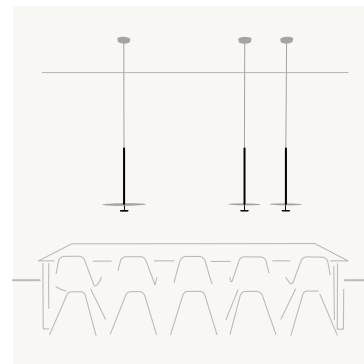
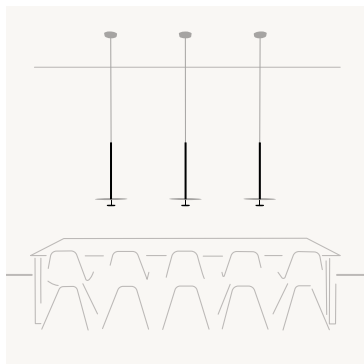
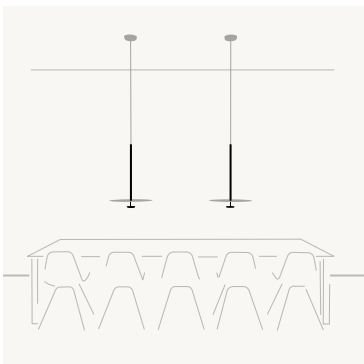


5955



5957







FLAT



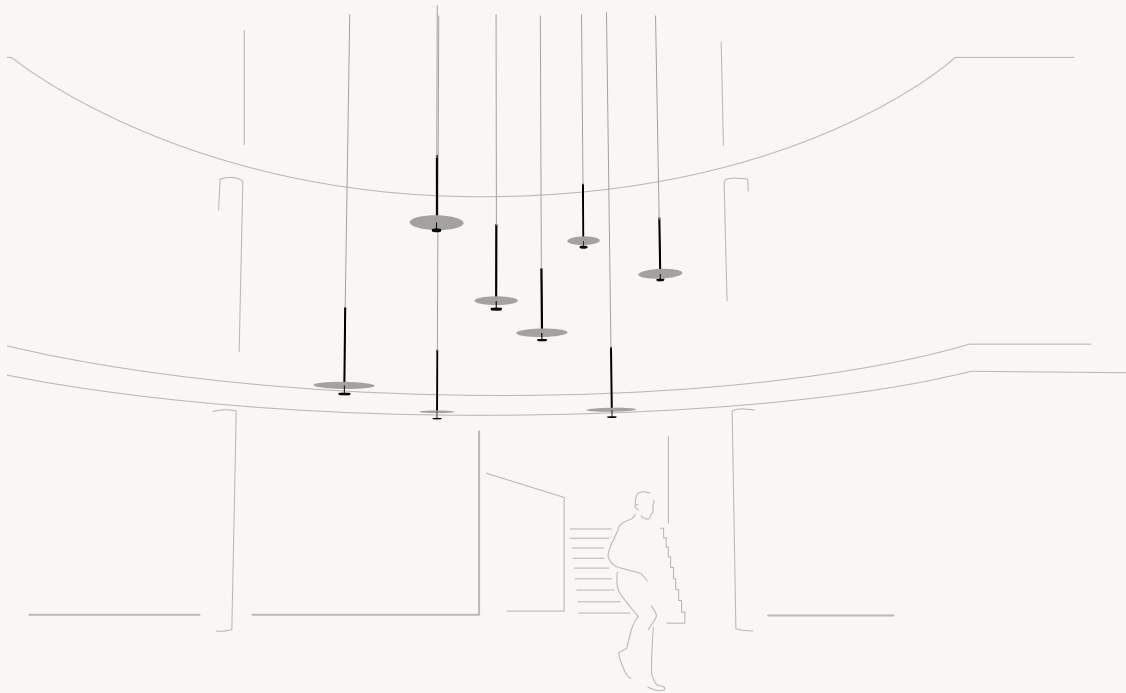
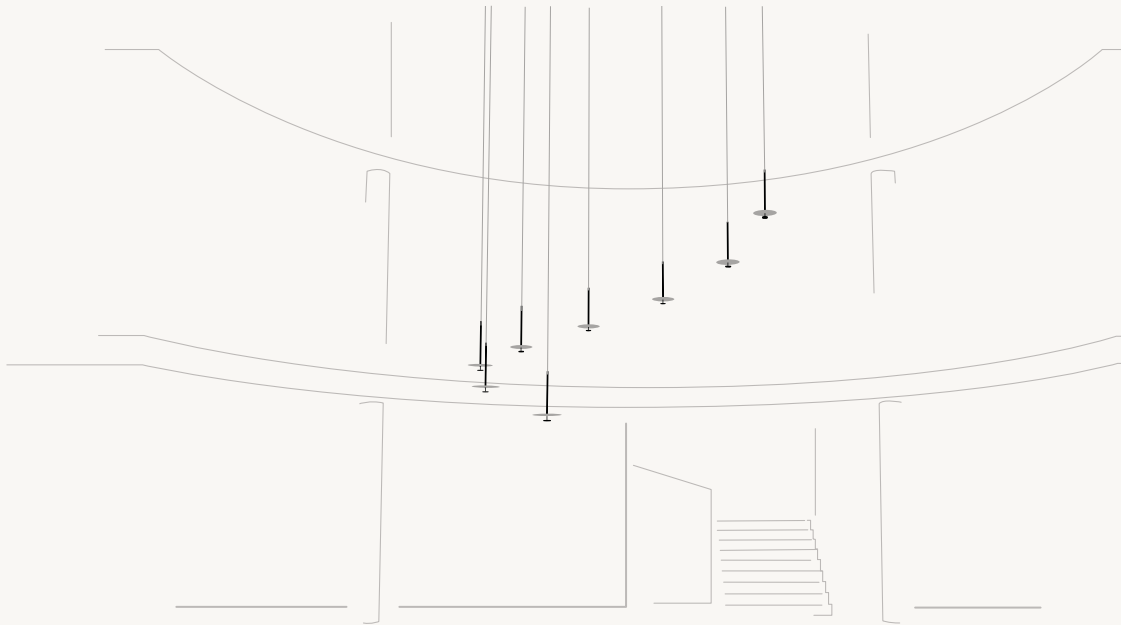
GET THE CATALOGUE AT HOME







5935 with remote driver - trimless





The collection features flat metal plates positioned at different heights. They reflect light from their surface, casting an enveloping, wraparound glow that appears illuminated from within. Suspended by a cable from the ceiling, the pendants are at once delicate and graphic, seeming to float overhead. A large, commercial size pendant with an arm to adjust the height is also available. The small disc reflects light back at the larger disc, creating a pocket of soft, pooled indirect light.

- 13 Grey L1 (NCS S 1000-N)
- 37 Terra Red (NCS S 4040-Y70R)
- 47 Green L1 (NCS S 4005-G80Y)

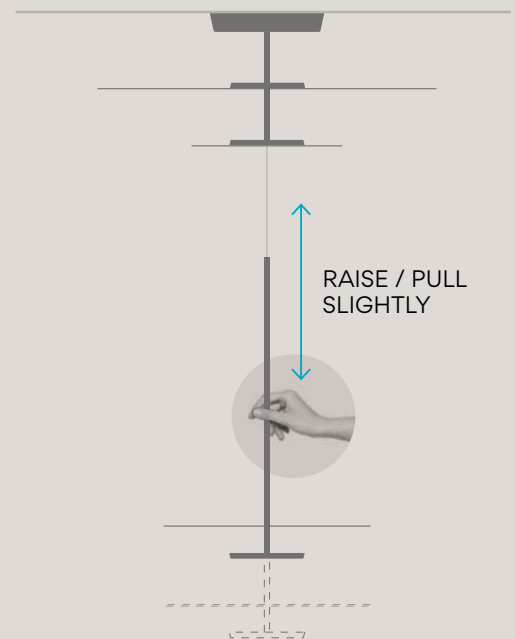
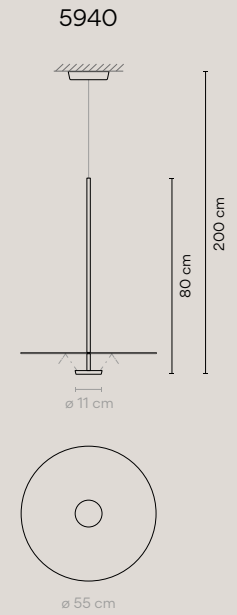
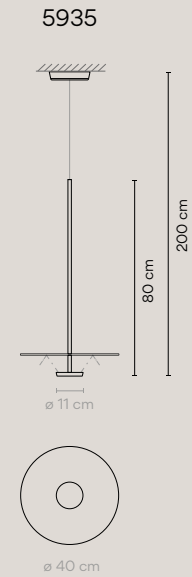
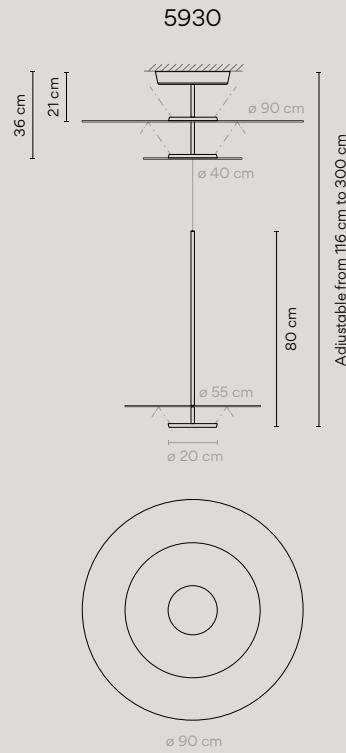
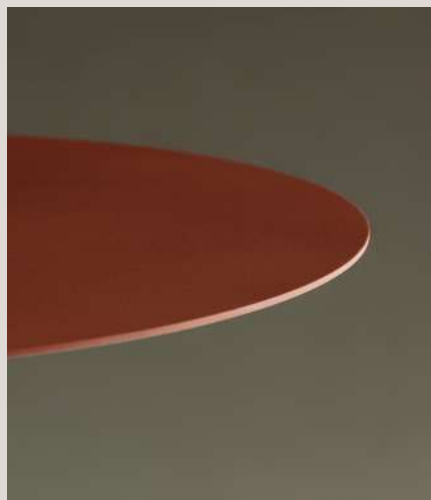
Shade: Aliminum.
 Diffuser: Polycarbonate.
 Structures: Steel.
 Canopy: Aluminum.

LED 2700 K. CRI>90
 Dimming: DALI, 1-10V, Push.

Personalization options available

- LED 4000 K
 - Extra cable length
 - Ref. 5930.
 - Dimming: Casambi
- Request more information.

Upper side of the disc available in:
 Grey L1, Terra Red y Green L1.







GET THE CATALOGUE AT HOME



The LED-powered collection consists of flat metal plates reflecting light from their surface, casting an enveloping, wraparound glow that appears illuminated from within. The tabletop lamp is available with a compact disc or a shelf-like plate that doubles as furniture, its diminutive proportions lending it an intimate, human sensibility. The light reflects downward, creating a soft luminescence upon the surface on which it rests. A study in geometry, its crisp lines and smooth curves exude sculptural elegance.

Ref. 5965.

- 13 Grey L1 (NCS S 1000-N)
- 47 Green L1 (NCS S 4005-G80Y)

Ref. 5970.

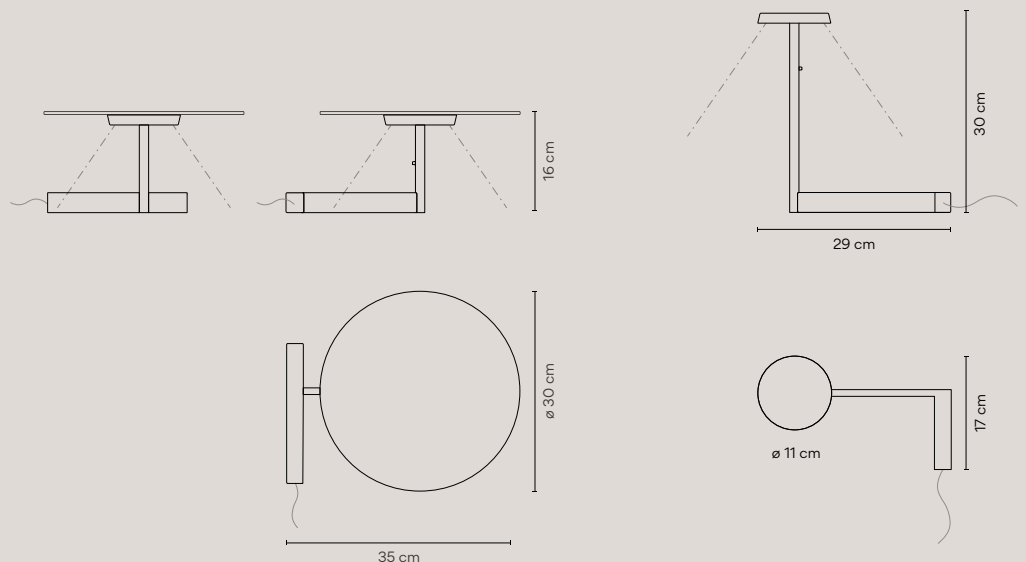
- 11 Black (NCS S 8500-N)
- 37 Terra Red (NCS S 4040-Y70R)
- 47 Green L1 (NCS S 4005-G80Y)

Shade: Aliminum.
Diffuser: Polycarbonate.
Structures: Steel.



LED 2700 K. CRI>90
Dimming: Push.

Personalization options available
- LED 4000 K
Request more information.



5965

5970

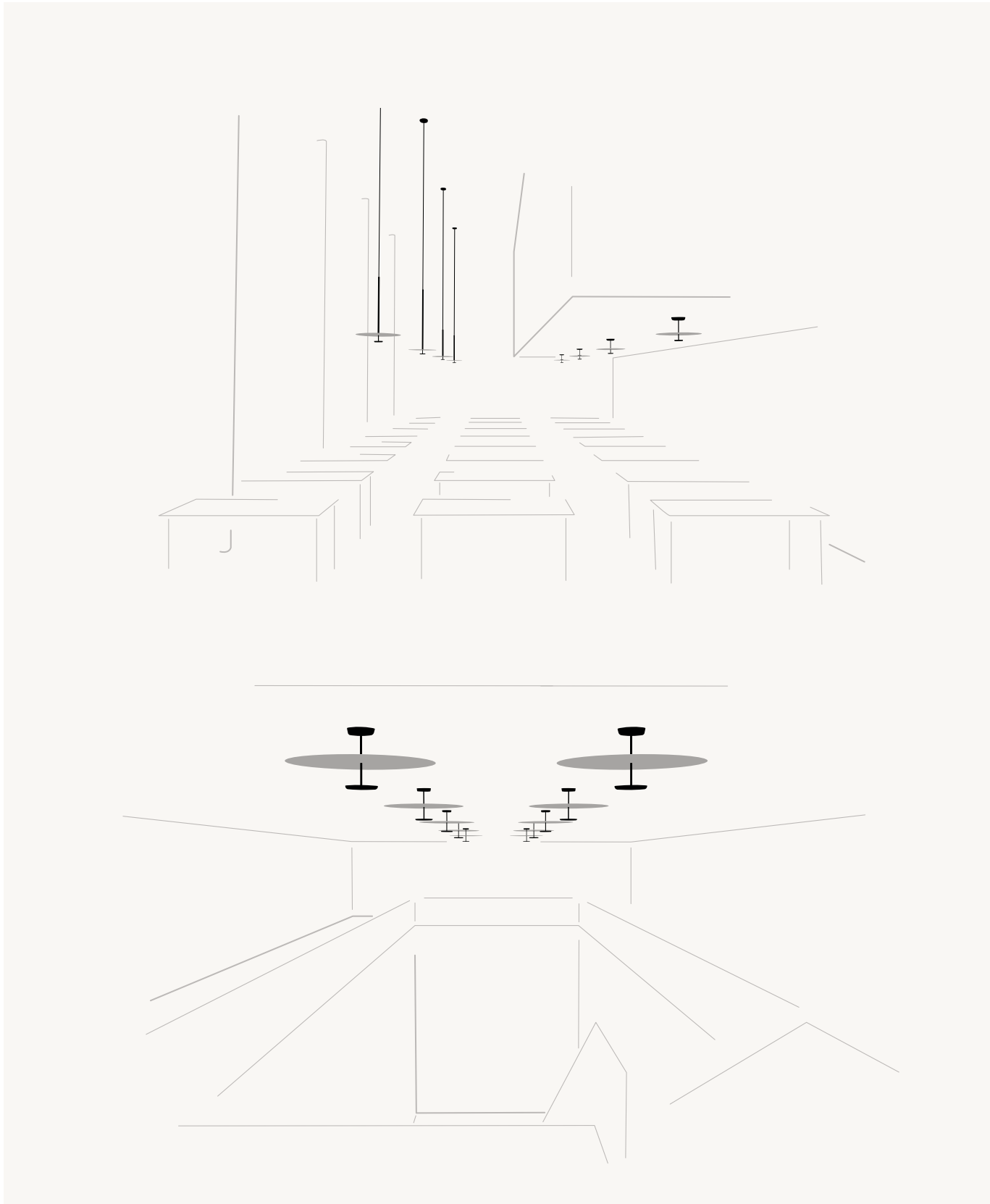








GET THE CATALOGUE AT HOME









The LED-powered collection is composed of flat metal plates positioned at different heights. The plate surfaces reflect light, casting an enveloping, wraparound glow that appears illuminated from within. At once delicate and graphic, the ceiling light seems to float overhead. It comes in small or large sizes with a single or double disc. The single-disc style reflects indirect light up towards the ceiling, while the double disc's smaller, complementary plate captures and reflects light back at the larger disc, creating a pocket of soft, pooled indirect light. A triple-disc version is available for commercial use.

Ref. 5905, 5922.

10 White (NCS S 0300-N)



71 White, Green L1, Grey L1
(NCS S 0300-N, NCS S 4005-G80Y,
NCS S 1000-N)

Ref. 5910, Ref. 5924.

10 White (NCS S 0300-N)



72 White, Green L1
(NCS S 0300-N, NCS S 4005-G80Y)

73 White, Grey L1
(NCS S 0300-N, NCS S 1000-N)

Ref. 5926, 5915.

10 White (NCS S 0300-N)

Ref. 5920.

10 White (NCS S 0300-N)

13 Grey L1 (NCS S 1000-N)

47 Green L1 (NCS S 4005-G80Y)

Shade: Aliminum.
Diffuser: Polycarbonate.
Structures: Steel.
Canopy: Aluminum.

LED 2700 K. CRI>90
Dimming: DALI, 1-10V, Push.

* Electrical connection point.

Personalization options available

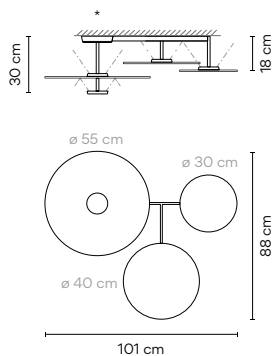
- LED 4000 K

Ref. 5922, 5924.

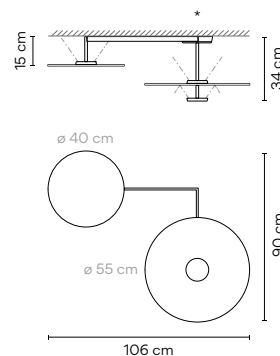
- Dimming: Casambi

Request more information.

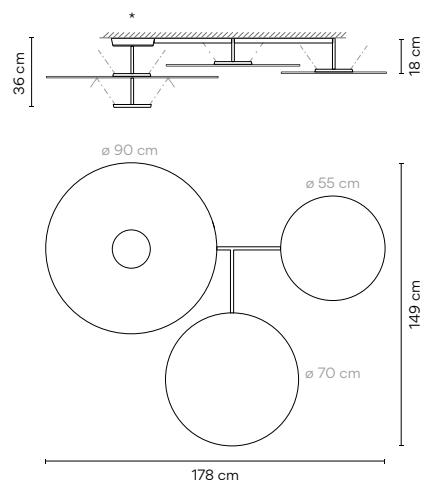
5905



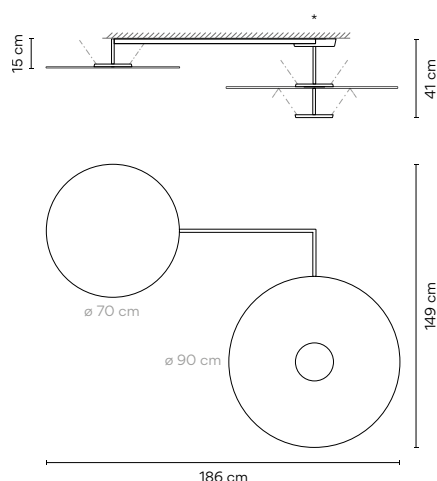
5910



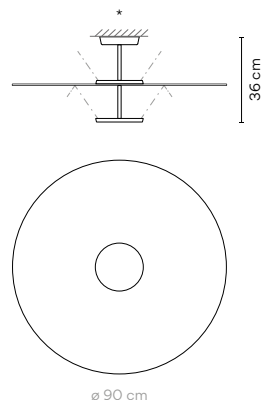
5922



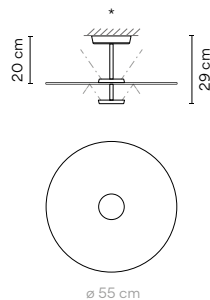
5924



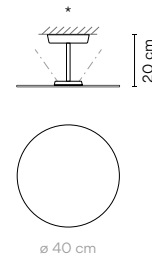
5926



5915



5920



CEILING



“A reflector lamp collection that connects a floating light source with a linear structure. Minimal reflector discs and linear structure provide simple and powerful universality like alphabets and musical scores”.

Ichiro Iwasaki

GET THE CATALOGUE AT HOME